

BALDOR® • RELIANCE 

Product Information Packet

VPECP4313T

75HP,3555RPM,3PH,60HZ,365VP,TEFC,V1

Part Detail							
Revision:	B	Status:	PRD/A	Change #:		Proprietary:	No
Type:	AC	Elec. Spec:	A36WG0319	CD Diagram:	416820-002	Mfg Plant:	
Mech. Spec:		Layout:	616555-992	Poles:	02	Created Date:	07-01-2015
Base:		Eff. Date:	03-12-2020	Leads:	3#2,6#4		

Specs			
Catalog Number:	VPECP4313T	Heater Indicator:	No Heater
Enclosure:	TEFC	Insulation Class:	F
Frame:	365VP	Inverter Code:	Inverter Ready
Frame Material:	Iron	IP Rating:	NONE
Output @ Frequency:	75.000 HP @ 60 HZ	KVA Code:	G
Synchronous Speed @ Frequency:	3600 RPM @ 60 HZ	Lifting Lugs:	Vertical Lifting Lugs
Voltage @ Frequency:	230.0 V @ 60 HZ	Motor Lead Quantity/Wire Size:	3 @ 2 AWG
	460.0 V @ 60 HZ	Motor Type:	A36068M
XP Class and Group:	None	Mounting Arrangement:	V1
XP Division:	Not Applicable	Power Factor:	92
Agency Approvals:	CSA EEV	Product Family:	General Industrial
Auxillary Box:	No Auxillary Box	Pulley End Bearing Type:	Ball
Base Indicator:	No Mounting	Pulley Face Code:	P-Base
Bearing Grease Type:	Polyrex EM (-20F +300F)	Shaft Ground Indicator:	No Shaft Grounding
Constant Torque Speed Range:	15-60	Shaft Rotation:	Reversible
Current @ Voltage:	161.000 A @ 230.0 V	Shaft Slinger Indicator:	Shaft Slinger
	80.700 A @ 460.0 V	Speed Code:	Single Speed
Design Code:	B	Motor Standards:	NEMA

Drip Cover:	Drip Cover	Starting Method:	Direct on line
Duty Rating:	CONT	Thermal Device - Bearing:	None
Enclosure Modification:	Severe Duty Features	Thermal Device - Winding:	None
Feedback Device:	NO FEEDBACK	XP Temp Code:	T3

Nameplate NP2496L

MOBIL POLYREX EM

Nameplate NP3238									
CAT NO	VPECP4313T	SPEC NO.	A36-6893-0319						
HP	75	AMPS	161/80.7	VOLTS	230/460	DESIGN	B		
FRAME	365VP	RPM	3555	HZ	60	AMB	40	SF	1.15
D.E. BRG.DATA	6313	O.D.E. BRG.DATA	7310	PH	3	DUTY	CONT	INSUL.CLASS	F
D.E. BRG.	65BC03JP30X	TYPE	P	ENCL	TEFC	CODE	G	NEMA NOM EFFICIENCY	94.5
O.D.E. BRG.	BA2B_459310	POWER FACTOR	92	MAX CORR KVAR	5	GUARANTEED EFFICIENCY	93.6		
3/4 LOAD EFF.	95.2	TEMP CODE	T3	TEMP	= 200				
CHP HZ	60-90	CT HZ	15-60	VT HZ	0-60				
INVERTER-TEMP-CODE	T3								
SER.NO.		MOTOR WEIGHT							

Parts List		
Part Number	Description	Quantity
SA303164	SA A36-6893-0319	1.000 EA
RA290282	RA A36-6893-0319	1.000 EA
421948032	LABEL, MYLAR	1.000 EA
NP2496L	MOTOR LUBE NAMEPLATE	1.000 EA
000613006PU	N/P (RELEASE QTY 10,000) UL CSA LABEL	1.000 EA
000692000FF	N/P	1.000 EA
000692000VD	LABEL WARNING	1.000 EA
NP3238	SS CP XEX SEVERE DUTY MAIN NP	1.000 EA
418185012FL	B/BRG ANGULAR SET - 360	1.000 PR
035051010AA	BBLCW W-10	1.000 EA
085922097A	BRKT 360 087793066WCC	1.000 EA
415072001B	CLAMP	1.000 EA
078559035AA	F/C 360 078559035WCC	1.000 EA
034180008FA	KEY 3/8X3/8X1L - 320	1.000 EA
412118006A	DRAIN	1.000 EA
702675001A	FAN 250-440	1.000 EA
004824015A	GREASE POLYREX EM	0.540 LB
032018016DK	HHCS 1/2-13X2L PLTD.	4.000 EA
032018010CK	HHCS 3/8-16X1-1/4 PLTD. 032018010CR	4.000 EA
032018030CK	HHCS 3/8-16X3-3/4 PLATED	3.000 EA
034630002AB	CPLG 1/4" PLATED	1.000 EA
415096002A	CPLG 1/8 HEX TYPE	1.000 EA
415045002H	SLGR	1.000 EA
034017014AB	LCKW 3/8 STD. PLATED	4.000 EA

Parts List (continued)		
Part Number	Description	Quantity
034017014AB	LCKW 3/8 STD. PLATED	3.000 EA
034530052AB	P/NIP 1/8X6-1/2 GALV.	1.000 EA
034530016BC	P/NIP 1/4X2 GALV. - 320	1.000 EA
034690002AB	PPLG 1/4" PLTD.	1.000 EA
034690002AB	PPLG 1/4" PLTD.	1.000 EA
089495002A	BRKT 360 089495001WCA	1.000 EA
032018012DK	HHCS 1/2-13X1-1/2 PLTD.	4.000 EA
032018030CK	HHCS 3/8-16X3-3/4 PLATED	3.000 EA
415045002E	SLGR	1.000 EA
034017014AB	LCKW 3/8 STD. PLATED	3.000 EA
412118006A	DRAIN	1.000 EA
410700004F	WSHR	1.000 EA
076708000BB	CONDUIT BOX-360	1.000 EA
065776000C	GASKET,MAIN CBOX, 320-400	1.000 EA
076709000A	C/B Cover - 360	1.000 EA
067053000B	GASK 320-400	1.000 EA
418150003A	GREASE FITTING CAP	1.000 EA
032018010CK	HHCS 3/8-16X1-1/4 PLTD. 032018010CR	4.000 EA
032018022CK	HHCS 3/8-16X2-3/4 PLTD	4.000 EA
405851012AN	SPACE	4.000 EA
702641041A	D/CVR 360 SUB PAINT	1.000 EA
034017014AB	LCKW 3/8 STD. PLATED	4.000 EA
035000001A	ALFTG 1/8" 1610-BL	1.000 EA
415000103H	T/LUG #2AWG-4/0AWG	1.000 EA

Product Information Packet: VPECP4313T - 75HP,3555RPM,3PH,60HZ,365VP,TEFC,V1

033512008LB	HHTTS 1/4-20X1 PLATED	4.000 EA
034000014AB	WSH ID.406 OD.812 TH.065	4.000 EA
034000014AB	WSH ID.406 OD.812 TH.065	4.000 EA
048977006B	GRFTG - XP	1.000 EA
035000001A	ALFTG 1/8" 1610-BL	1.000 EA
418150003A	GREASE FITTING CAP	1.000 EA
033775004EA	DRSCR #6-1/4 304 S.S.	4.000 EA
609013011C	LFT/P - 360	2.000 EA
032018012EK	HHCS 5/8-11X1-1/2L PLTD.	4.000 EA
034017018AB	LCKW 5/8" 034017018AF	4.000 EA
034180024FA	KEY 3/8X3/8X3 L	1.000 EA
034017018AB	LCKW 5/8" 034017018AF	2.000 EA
604797045	STD. 400 FRAME SKID	1.000 EA
033102018AG	NUT 5/8-11 PLATED	2.000 EA
032018012EK	HHCS 5/8-11X1-1/2L PLTD.	2.000 EA
604797064C	2"X4"-24"	2.000 EA
604797064C	2"X4"-24"	1.000 EA
604797064C	2"X4"-24"	1.000 EA
604797064C	2"X4"-24"	1.000 EA
415038028A	BLOCK,SHIPPING	1.000 EA
415038028B	BLOCK,SHIPPING	1.000 EA
MG1025N19	WILKO 778.50 BLUE GREEN - 55 GAL DRUMS	0.250 GA
032018005DL	1/2-13 X 5/8 SILICON BRONZE HHCS	1.000 EA


REL. S.O.	FRAME	HP	TYPE	PHASE/ HERTZ	RPM	VOLTS
	365TCZ	75	P	3/60	3555	230/460
AMPS	DUTY	AMB °C/ INSUL.	S.F.	NEMA DESIGN	CODE LETTER	ENCL.
161/80.7	CONT	40/F	1.15	B	G	TEFC
E/S	ROTOR	TEST S.O.	TEST DATE	STATOR RES @25 °C OHMS (BETWEEN LINES)		
892019	418141005TE	---	---	.0186/.0744		

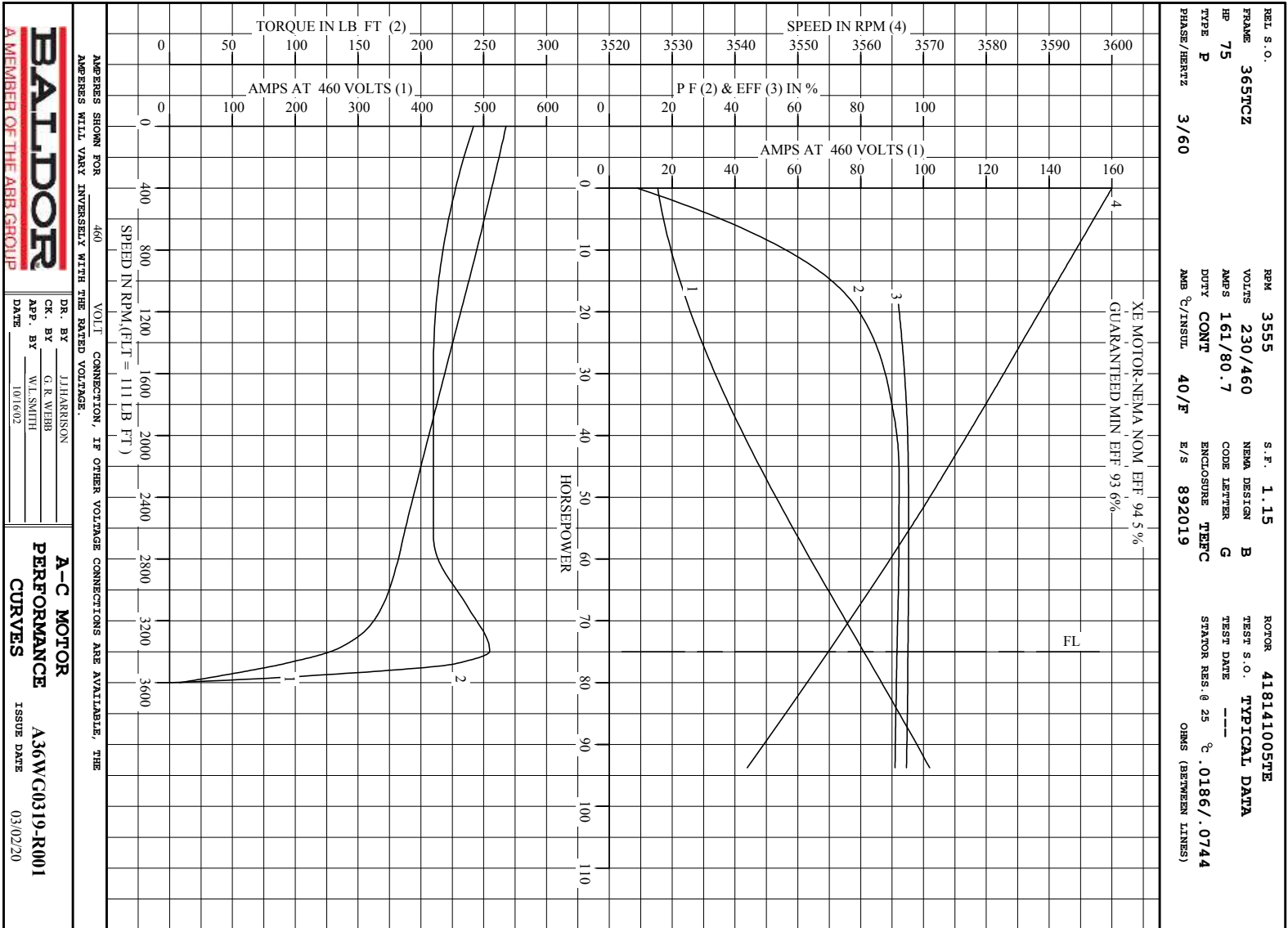
PERFORMANCE

LOAD	HP	AMPERES	RPM	POWER FACTOR %	EFFICIENCY %
NO LOAD	0	15.5	3600	8.92	0
1/4	18.8	24.5	3589	77.9	92.0
2/4	37.5	40.8	3578	90.8	94.8
3/4	56.2	60.0	3567	92.2	95.3
4/4	75.0	80.7	3555	91.6	95.1
5/4	93.8	102	3542	90.9	94.6
SPEED TORQUE					
		RPM	TORQUE % FULL LOAD	TORQUE LB.-FT.	AMPERES
LOCKED ROTOR		0	218	242	536
PULL UP		1565	190	210	440
BREAKDOWN		3395	230	255	259
FULL LOAD		3555	100	111	80.7

AMPERES SHOWN FOR 460. VOLT CONNECTION. IF OTHER VOLTAGE CONNECTIONS ARE AVAILABLE, THE AMPERES WILL VARY INVERSELY WITH THE RATED VOLTAGE

REMARKS: TYPICAL DATA
 XE MOTOR-NEMA NOM. EFF. 94.5 %
 GUARANTEED MIN. EFF. 93.6 %

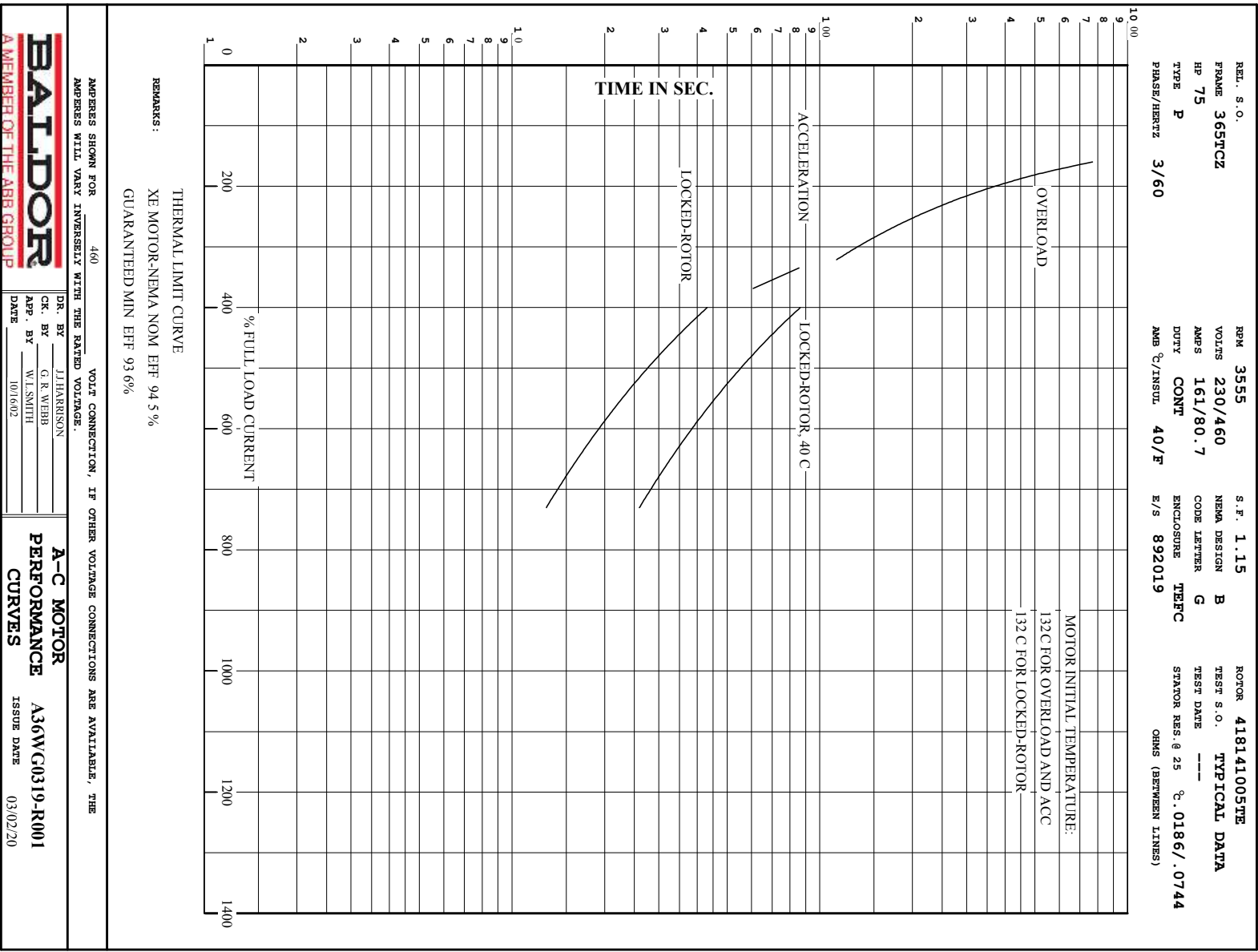
 <p>A MEMBER OF THE ABB GROUP</p>	DR. BY <u>J.J. HARRISON</u>	<p>A-C MOTOR PERFORMANCE DATA A36WG0319-R001 ISSUE DATE 03/02/20</p>
	CR. BY <u>G. R. WEBB</u> APP. BY <u>W.L. SMITH</u> DATE <u>10/16/02</u>	



BALDOR
A MEMBER OF THE ABB GROUP

DR. BY J.HARRISON
 CK. BY G.R.WEBB
 App. BY W.L.SMITH
 DATE 10/16/02

A-C MOTOR
PERFORMANCE
CURVES
A36WC0319-R001
 ISSUE DATE 03/02/20



REMARKS:
 THERMAL LIMIT CURVE
 XE MOTOR-NEMA NOM EFF 94.5 %
 GUARANTEED MIN EFF 93.6 %

AMPS SHOWN FOR 460 VOLT CONNECTION, IF OTHER VOLTAGE CONNECTIONS ARE AVAILABLE, THE AMPS WILL VARY INVERSELY WITH THE RATED VOLTAGE.

BALDOR
 A MEMBER OF THE ABB GROUP

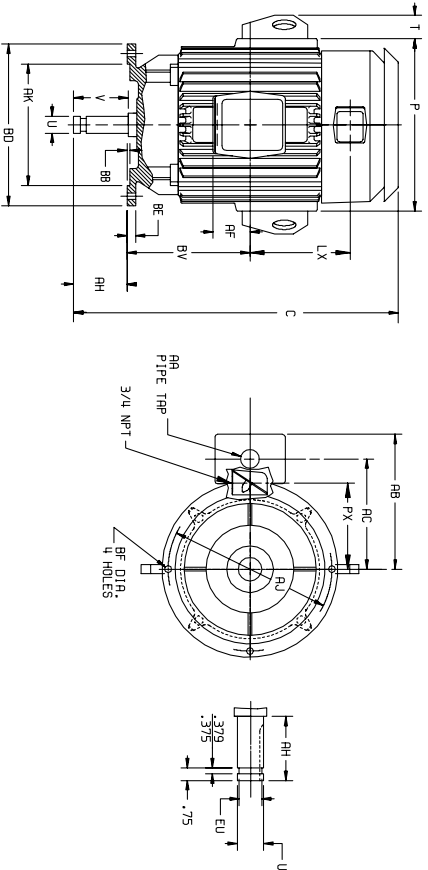
DR. BY J. HARRISON
 CK. BY G. R. WEBB
 APP. BY W. L. SMITH
 DATE 10/16/02

A-C MOTOR PERFORMANCE CURVES
 A36V/C0319-R001
 ISSUE DATE 03/02/20

618555-992

DUTY MASTER ALTERNATING CURRENT MOTORS

ENCLOSURE: TOTALLY ENCLOSED
 MOUNTING: NEMA VP API THRUST DESIGN - SOLID SHAFT
 SQUIRREL-CAGE INDUCTION
 CAST IRON CONSTRUCTION
 COOLING: FAN COOLED
 FRAMES 250VP THRU 440VP



DIMENSIONS ARE IN INCHES; SEE SHEET 2 FOR DIMENSIONS IN MILLIMETERS

FRAME	P	T	CAST IRON TERMINAL BOX										(4)	RECOM. BOLT	LX	PX
			AA	AB	AC	AF	BB	BD	BE	BF	AJ	AK				
254VP-256VP	14.00	2.25	1-1/4	10.81	8.81	2.50	1.9	10.00	.62	4.4	9.12	8.250	3/8 X 1.50	6.31	10.50	
284VP-286VP	15.50	2.25	1-1/2	12.62	10.19	3.00	1.9	10.00	.69	4.4	9.12	8.250	3/8 X 1.50	6.88	11.00	
324VP-326VP	17.50	2.25	2	15.44	11.69	3.62	2.5	16.50	.88	6.9	14.75	13.500	5/8 X 2.00	8.00	12.00	
364VP-366VP	20.25	2.25	2	18.00	13.81	4.12	2.5	18.50	.88	6.9	14.75	13.500	5/8 X 2.00	8.98	13.00	
404VP-406VP	22.02	2.30	3	19.23	15.08	4.12	2.3	18.50	.94	6.9	14.75	13.500	5/8 X 2.00	9.92	14.75	
444VP-446VP	23.25	2.30	3	22.19	17.44	6.00	2.5	16.50	1.06	6.9	14.75	13.500	5/8 X 2.25	11.12	15.56	

FRAME	SIZE	C	BV	AH(6)	V	SHAFT AND KEY			WEIGHT LBS. (3)
						U(2)	EU(5)	SO.	
254VP	28.10	9.44	2.750	2.75	1.1250	.875	.250	1.25	3.30
256VP	28.10	9.44	2.750	2.75	1.1250	.875	.250	1.25	3.40
284VP	30.66	10.44	2.750	2.75	1.1250	.875	.250	1.25	4.60
286VP	30.66	10.44	2.750	2.75	1.1250	.875	.250	1.25	4.75
324VP	34.60	11.75	4.500	4.50	1.6250	1.250	.375	3.00	6.10
326VP	34.60	11.75	4.500	4.50	1.6250	1.250	.375	3.00	6.50
364VP	37.25	12.75	4.500	4.50	1.6250	1.250	.375	3.00	9.80
366VP	37.25	12.75	4.500	4.50	1.6250	1.250	.375	3.00	9.80
404VP	41.75	14.62	4.500	4.50	1.6250	1.250	.375	3.00	13.10
406VP	41.75	14.62	4.500	4.50	1.6250	1.250	.375	3.00	13.10
444VP	47.57	17.50	4.500	4.50	2.125	1.750	.500	3.00	16.90
446VP	47.57	17.50	4.500	4.50	2.125	1.750	.500	3.00	16.90

(1) SPECIAL DIMENSIONS APPLYING TO THIS ORDER ON THIS LINE.
 IF MOUNTING CLEARANCE DETAILS ARE REQUIRED, CONSULT FACTORY.

(2) "U" VARIES UP TO 2.125 DIA. +.0000, -.0005
 2.125 AND LARGER +.000, -.001.
 MAXIMUM PERMISSIBLE SHAFT RUNOUT WHEN MEASURED AT END OF SHAFT EXTENSION IS .001 MAX. T.I.R.
 FACE RUNOUT AND 250VP - 440VP .004 MAX. T.I.R.
 ECCENTRICITY

(3) MOTOR WEIGHTS MAY VARY BY 15% DEPENDENT UPON RATING.
 (4) "AK" VARIES 250VP - 280VP +.003, -.000
 320VP - 440VP +.005, -.000
 (5) "EU" VARIES +.000, -.005
 (6) "AH" VARIES +.030, -.030
 (7) AUXILIARY CONDUIT BOX SUPPLIED ONLY WHEN SPECIFIED.

FRAME _____ TYPE _____ CERTIFIED FOR _____
 ORDER _____ ITEM _____ HP _____ RPM _____ PH _____ HZ _____ VOLTS _____
 SALES ORDER _____ APPROVED BY _____ DATE _____

266-559919

CUSTOMER IS RESPONSIBLE FOR DETERMINING THAT BALDOR'S PRODUCT WILL PERFORM SUITABLY IN THE INTENDED APPLICATION.

REV. DESC: REMOVED "AG" AND ADD "C" DIMENSION	VERSION: 03	TDR: 000000821455
REV. LTR: C	REVISED: 03: 31:17 10/08/2013	BY: RAGJSS1
FILE: \\RAG\00008\703		
MTL: -		

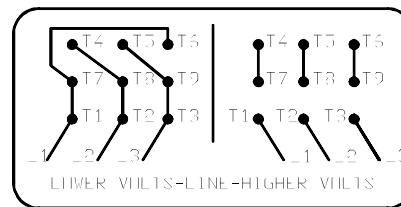
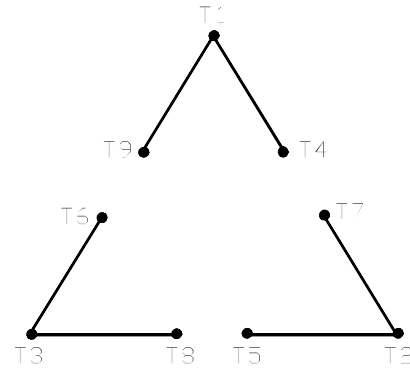
BALDOR

DIM SHT 250-440VP TEFC API THRUST DESIGN CAST IRON CBOX

SH 1 of 1

416820-002

A-C MOTOR
 CONNECTION DIAGRAM
 STANDARD 9 LEAD DELTA-CONNECTED



(N.P. 1575-B)

416820-002

REV. DESC: FONT CHANGE FOR PDF SEARCHABLE		
REV. LTR: A	VERSION: 01	TDR: 000001009382
FILE: \MGA\00000\661	REVISED: 02:46:19 02/13/2020	BY: MGHMTT
MTL: -	⊙ □	

BALDOR - RELIANCE®

CONN DIAG - STANDARD 9 LEAD, DELTA-CONNECTED

SH 1 of 1

Marketing maintained PDF of MN416:

<http://www.baldor.com/support/Literature/Load.ashx/MN416?ManNumber=MN416>

Marketing maintained PDF of MN421:

<http://www.baldor.com/support/Literature/Load.ashx/MN421?ManNumber=MN421>